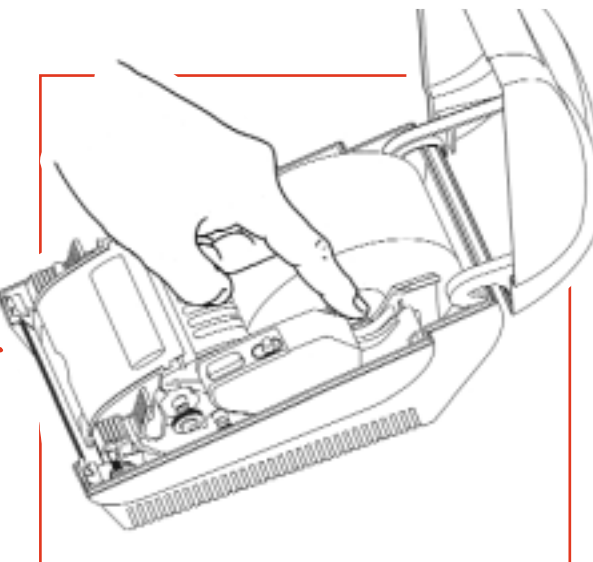


# 5 MEDIA GUIDES



With the media roll loaded, press the green guide lock for easier media installation next time.

# T SELF TEST

- Press the illuminated READY button once. The light goes out.

- Hold the blue FEED button and press READY once. Release the blue FEED button when the printer starts to print a self test label.

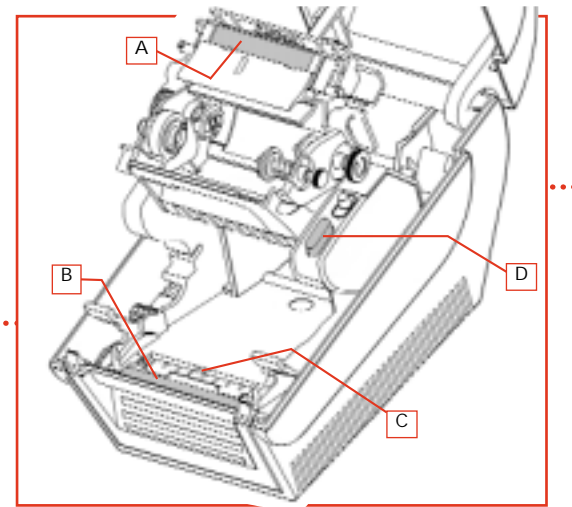
- Press READY twice to return to normal operating mode.

**Important!** After performing a self-test, the printer is placed in data dump mode and cannot print normal labels until you press READY twice.



# M MAINTENANCE

With Every Media Roll



Clean the print head **A**, drive roller **B** and the index senso **C** with a soft, lint free cloth saturated with 99% isopropyl alcohol. Press the FEED butt **D** to clean all sides of the roller.

**Caution!** Incorrectly cleaning the printer will cause permanent damage and void the printer's warranty. Cognitive recommends using a certified cleaning pen for all your printer's cleaning requirements, P/N 60-14-00-0002.

# i MORE INFO

Refer to your CD-ROM for more detailed information. Refer to the Cognitive website for the latest firmware and software upgrades, including printer drivers.

Contact Cognitive for all your supply needs, including media and cleaning pens.

**General Mailing Address:**  
691 Corporate Circle, Golden, CO 80401  
Tel: 303.273.1400  
Toll Free: 800.525.2785  
Fax: 303.273.1414  
Website: [www.cognitive.com](http://www.cognitive.com)  
E-mail: [info@cognitive.com](mailto:info@cognitive.com)

**Technical Support Department**  
Toll Free: 888.715.7190  
Fax: 303.590.0518  
E-mail: [techsup@cognitive.com](mailto:techsup@cognitive.com)

**Europe**  
Atlantic Street  
Altrincham, Cheshire, WA14 5QJ  
United Kingdom  
Tel: 44.161.929.9933  
Fax: 44.161.927.7664  
E-mail: [info@uk-axiohm.com](mailto:info@uk-axiohm.com)

**Asia-Pacific**  
PO Box 677  
Level 3, 39 Leighton Place  
Hornsby NSW 2077 Australia  
Tel: 61.2.9477.1999  
Fax: 61.2.9477.1453  
E-mail: [sales@dhtechnology.com.au](mailto:sales@dhtechnology.com.au)

**Japan**  
2-23-2 Higashi-Ikebukuro  
Toshima-Ku  
TOKYO 170-0013 Japan  
Tel: 81.3.5391.7681  
Fax: 81.3.5391.7692  
E-mail: [sh06-cjp@kt.rim.or.jp](mailto:sh06-cjp@kt.rim.or.jp)

**WARNING - SHOCK HAZARD and STATIC DISCHARGE:**

Never operate the printer in a location where it can get wet. Personal injury could result. The discharge of electrostatic energy that accumulates on the surface of the human body or other surfaces can damage or destroy the print head or electronic components used in this device. DO NOT TOUCH the print head or the electronic components under the print head carriage.

**CAUTION - PRINTER SETUP & HANDLING:**

When installing or modifying the printer setup or configuration, ALWAYS TURN POWER OFF before: (1) connecting any cables (2) performing any cleaning or maintenance operations, (3) moving the printer.

**DD242 and DT242 PRINTERS:**

CE	European Council Directive	Compliance to Standards
	89/336/EEC EMC Directive	EN 55022-A, CISPR 22 RF Emissions control
	92/31/EEC EMC Directive	EN 500082-1 IEC 801 Immunity to Electromagnetic Disturbances

**FCC DECLARATION OF CONFORMITY:**

**FC** Models: DD242 and DT242 conform to the following specification: FCC Part 15, Subpart B, Section 15.107(a) and Section 15.109(a) Class B digital device

Supplemental Information: This device complies with Part 15 of the FCC Rules. Operation is subject to the following two conditions: (1) This device may not cause harmful interference, and (2) this device must accept any interference received, including interference that may cause undesired operation.

**INDUSTRY CANADA NOTICE:**

This device complies with Industry Canada ICS-003 class B requirements.

**ENERGY STAR COMPLIANCE:**

The Environmental Protection Agency's Energy Star program promotes the use of energy-efficient equipment, to help reduce pollution and conserve natural resources. As an Energy Star partner, Cognitive has determined that Del Sol printers meet the Energy Star guidelines for energy efficiency.

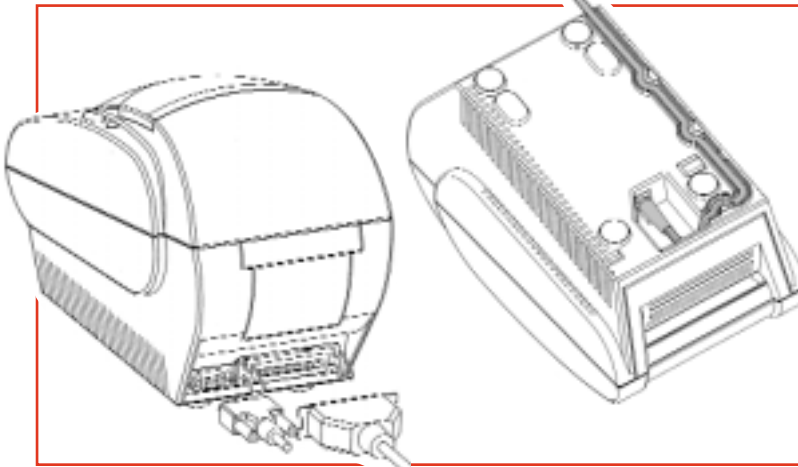
Copyright © 2000 Cognitive. Cognitive™ and Del Sol™ are trademarks of Cognitive. Microsoft® and Windows™ are trademarks of Microsoft Corporation. Other products and corporate names used in this publication may be trademarks or registered trademarks of other companies, and are used only for explanation and to their owner's benefit, without intent to infringe. No part of this manual may be reproduced for any purpose or in any form, including electronic storage and retrieval, without the express permission of Cognitive.

# QUICK START



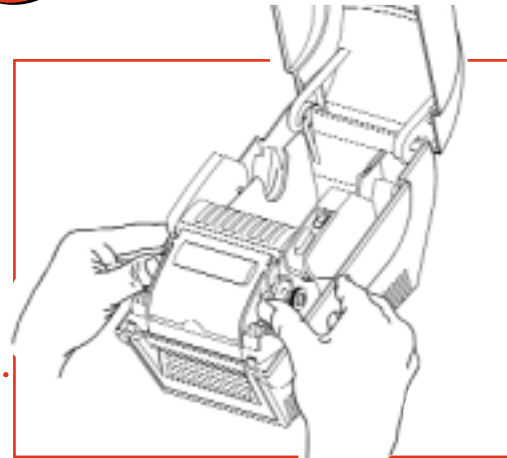
# Cognitive

# 1 POWER & CABLES



Connect a parallel cable or a null modem serial cable to the back of the printer. Connect the power cable under the printer, then route the cable through the cord channel and plug in.

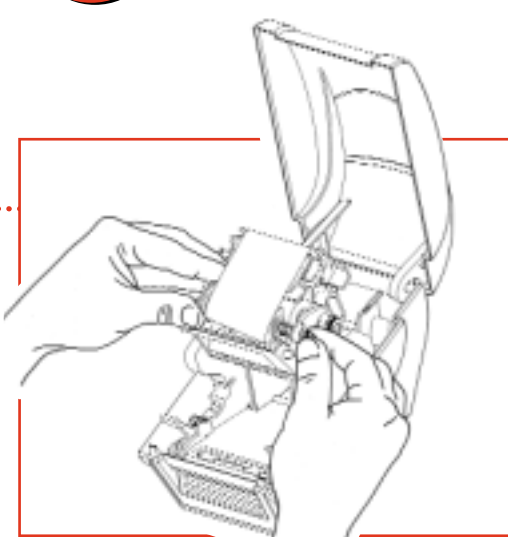
# 2 OPEN



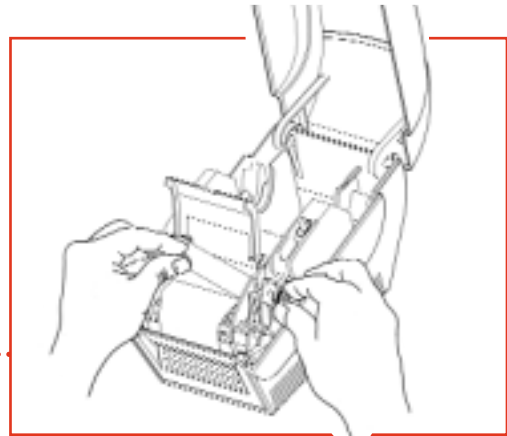
Open the dust cover. Press the black latches to release the print mechanism, then lift the mechanism until it locks in place.

**Note:** The printhead latches require some force to release.

# 3 RIBBON (Thermal Transfer Only)



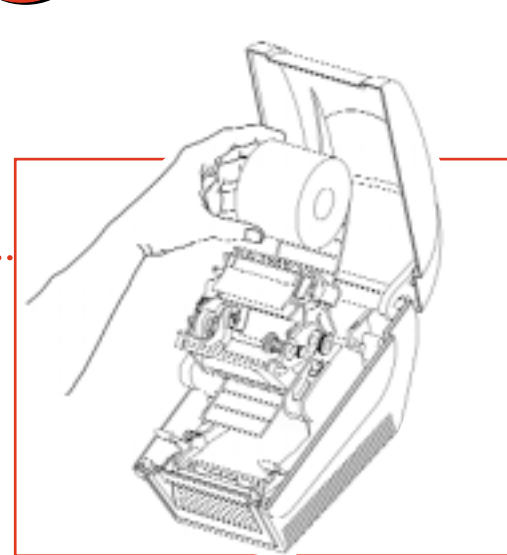
A. Pull out the small green knob and hold. Align the ribbon supply roll notches with the mounts and release the knob.



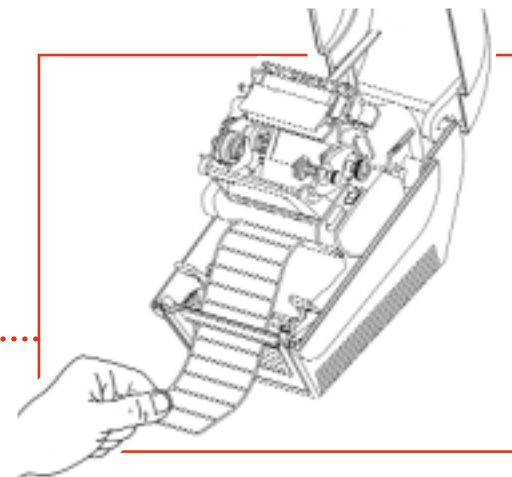
B. Lower the print mechanism and open the mechanism cover. Install the take-up core in the same way as the supply roll. Turn the take up knob clockwise until the ribbon is taut.

**Note:** A little wrinkling in the ribbon is normal and will not cause printing problems.

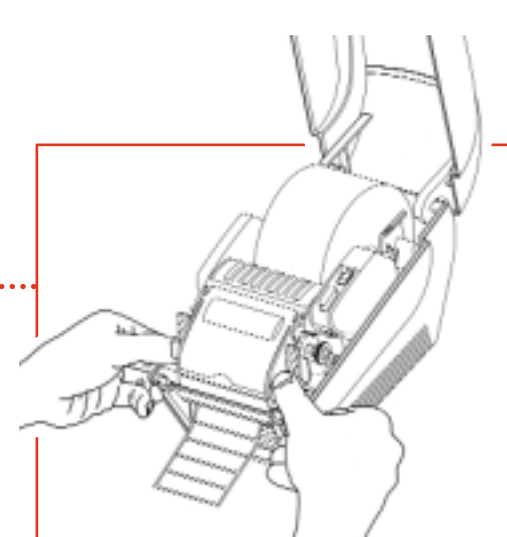
# 4 MEDIA



A. Load the media with the imaging side face up.



B. Slide the media under the print head and through the slot in the front panel. Pull the media taut.



C. Lower the print mechanism and press down firmly to secure both latches.

**Note:** The latches click when fully closed.